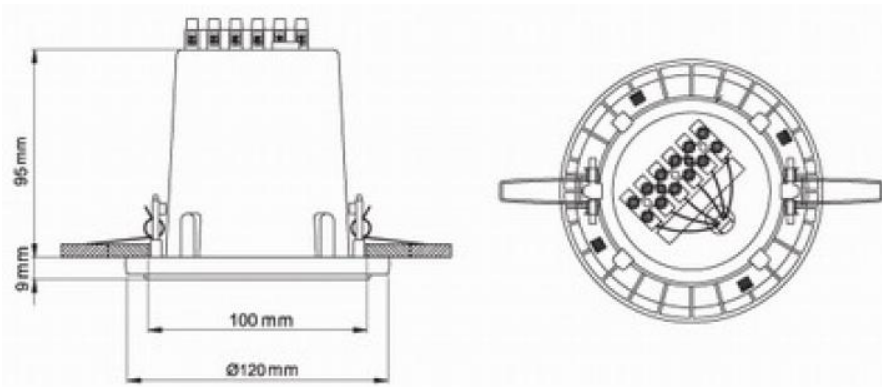


CEILING SPEAKER



Technical data	HSR123T
Load rating	5 W
Transformer tapplings at 100V	5-2.5-1.25 W
Transformer tapplings at 70V	5-2.5-1.25-0.6 W
Transformer tapplings at 50V	5-2.5-1.25-0.6-0.3 W
Frequency range	170-15KHz
SPL(@1W/m)	85dB
Speaker Ø(mm) and Impedance	3" / 8 ohms
Dimension Ø, Install depth(max.)	Ø120 (95)mm
Material, Colour	ABS , white

tűzgátló anyagokkal+ KONDENZÁTOR 1UF 250V