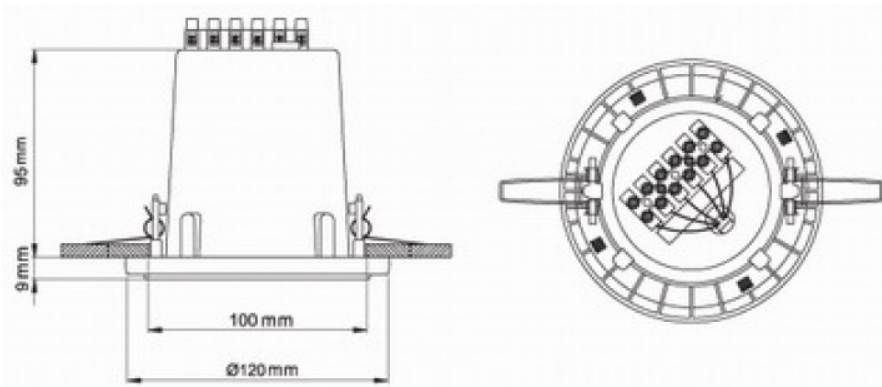


CEILING SPEAKER



| Technical data | HSR123T |
|---------------------------------|----------------------|
| Load rating | 5 W |
| Transformer tappings at 100V | 5-2.5-1.25 W |
| Transformer tappings at 70V | 5-2.5-1.25-0.6 W |
| Transformer tappings at 50V | 5-2.5-1.25-0.6-0.3 W |
| Frequency range | 170-15KHz |
| SPL(@1W/m) | 85dB |
| Speaker Ø(mm) and Impedance | 3" / 8 ohms |
| Dimension Ø,Install depth(max.) | Ø120 (95)mm |
| Material,Colour | ABS , white |

with Anti fire Materials + CAPACITOR 1UF 250V